



HEAVY-DUTY INDUSTRIAL CASTERS AND WHEELS

Casters and Wheels for Industrial Material Handling and Commercial OEM Applications Requiring Heavy-Duty Capacity and Durability.

Contact: Phil Strouth to discuss your application and to place orders.

E-Mail: phil@heavy-dutycaster.com

Or Call: 336 - 362 - 1639

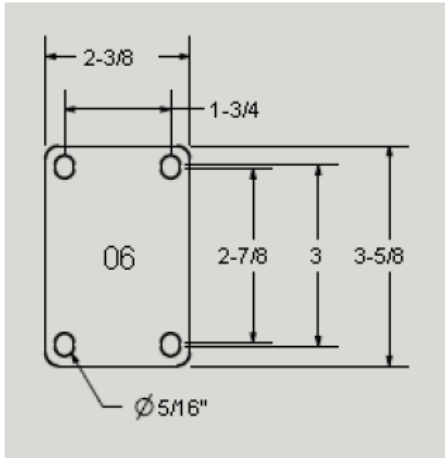
<http://www.heavy-dutycaster.com/>

Our Best Selling and most ergonomic and durable Light Duty Polymadic Swivel and Rigid Casters Price Sheet
 Advantages of Polymadic wheels: Injected Mold Polyurethane; Crowned Tread; Annular Ball Bearings for extremely smooth and easy rolling; Double Ball swivel raceway for swivel casters for extended life and better swivel action.

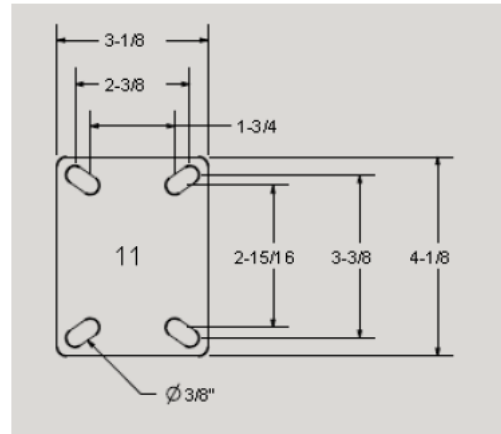


Part#	Swivel / Rigid	Wheel Size (Diameter x Tread Width), Wheel Material, Bearings, Color	Capacity	Overall Height	Price Each	Shipping Locations
75PM30GM43	Swivel	3" x 1.25" Polyurethane on Poly w/ Annular Ball Bearings; Maroon on Grey	300#	4-1/8"	\$9.00	Ohio, Texas
75PM30GM43TY	Swivel w/ Top Lock Brake	3" x 1.25" Polyurethane on Poly w/ Annular Ball Bearings; Maroon on Grey	300#	4-1/8"	\$12.00	Ohio, Texas
76PM30GM43	Rigid	3" x 1.25" Polyurethane on Poly w/ Annular Ball Bearings; Maroon on Grey	300#	4-1/8"	\$8.00	Ohio, Texas
75PM35GM43	Swivel	3.5" x 1.25" Polyurethane on Poly w/ Annular Ball Bearings; Maroon on Grey	325#	4-11/16"	\$10.00	Ohio, Texas
75PM35GM43TY	Swivel w/ Top Lock Brake	3.5" x 1.25" Polyurethane on Poly w/ Annular Ball Bearings; Maroon on Grey	325#	4-11/16"	\$13.00	Ohio, Texas
76PM35GM43	Rigid	3.5" x 1.25" Polyurethane on Poly w/ Annular Ball Bearings; Maroon on Grey	325#	4-11/16"	\$9.00	Ohio, Texas
75PM40GM43	Swivel	4" x 1.25" Polyurethane on Poly w/ Annular Ball Bearings; Maroon on Grey	350#	5-1/8"	\$12.00	Ohio, Texas
75PM40GM43TY	Swivel w/ Top Lock Brake	4" x 1.25" Polyurethane on Poly w/ Annular Ball Bearings; Maroon on Grey	350#	5-1/8"	\$15.00	Ohio, Texas
76PM40GM43	Rigid	4" x 1.25" Polyurethane on Poly w/ Annular Ball Bearings; Maroon on Grey	350#	5-1/8"	\$11.00	Ohio, Texas
75PM50GM43	Swivel	5" x 1.25" Polyurethane on Poly w/ Annular Ball Bearings; Maroon on Grey	350#	6-1/4"	\$13.00	Ohio, Texas
75PM50GM43TY	Swivel w/ Top Lock Brake	5" x 1.25" Polyurethane on Poly w/ Annular Ball Bearings; Maroon on Grey	350#	6-1/4"	\$16.00	Ohio, Texas
76PM50GM43	Rigid	5" x 1.25" Polyurethane on Poly w/ Annular Ball Bearings; Maroon on Grey	350#	6-1/4"	\$12.00	Ohio, Texas

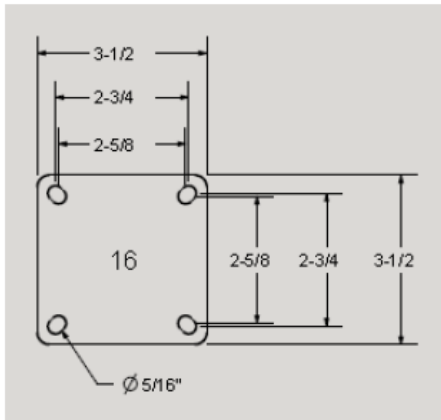
Top plate options for light duty casters



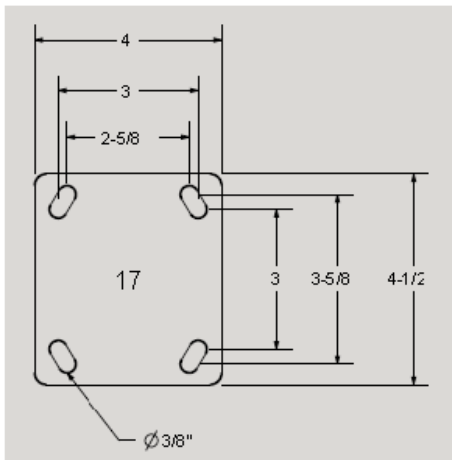
06 TOP PLATE



11 TOP PLATE



16 TOP PLATE



17 TOP PLATE

Stem Code	Stem Size	Stem Type
41	.875" x 2 - 1/4"	Octagon w/ Grip Ring
42	7/8" x 2"	Octagon w/ 5/16" Cross Drilled Hole
51	3/4" x 2"	Square w/ 3 Cross Drilled Holes
60	3/8"-16 x 3/4"	Threaded
61	3/8"-16 x 1"	Threaded
62	3/8"-16 x 1.5"	Threaded
66	1/2"-13 x 3/4"	Threaded
67	1/2"-13 x 1"	Threaded
68	1/2"-13 x 1.5"	Threaded
69	1/2"-13 x 2"	Threaded
70	1.5"-13 x 2.75"	Threaded
80	5/8"-11 x 1"	Threaded
81	5/8"-11 x 3/4"	Threaded
87	3/4"-10 x 1.75"	Threaded
71	.720" - .851"	Expandable Adapter
72	.852" - .927"	Expandable Adapter
73	.928" - 1.029"	Expandable Adapter
74	1.030" - 1.140"	Expandable Adapter
75	1.360" - 1.425"	Expandable Adapter
76	1.426" - 1.589"	Expandable Adapter
77	1.790" - 1.850"	Expandable Adapter
91	7/16" x 1 - 3/8"	Grip Ring
93	13/16" x 2 - 3/16"	Grip Ring
95	.846" x 2-3/16"	Grip Ring
96	13/16" x 1.75"	Grip Ring